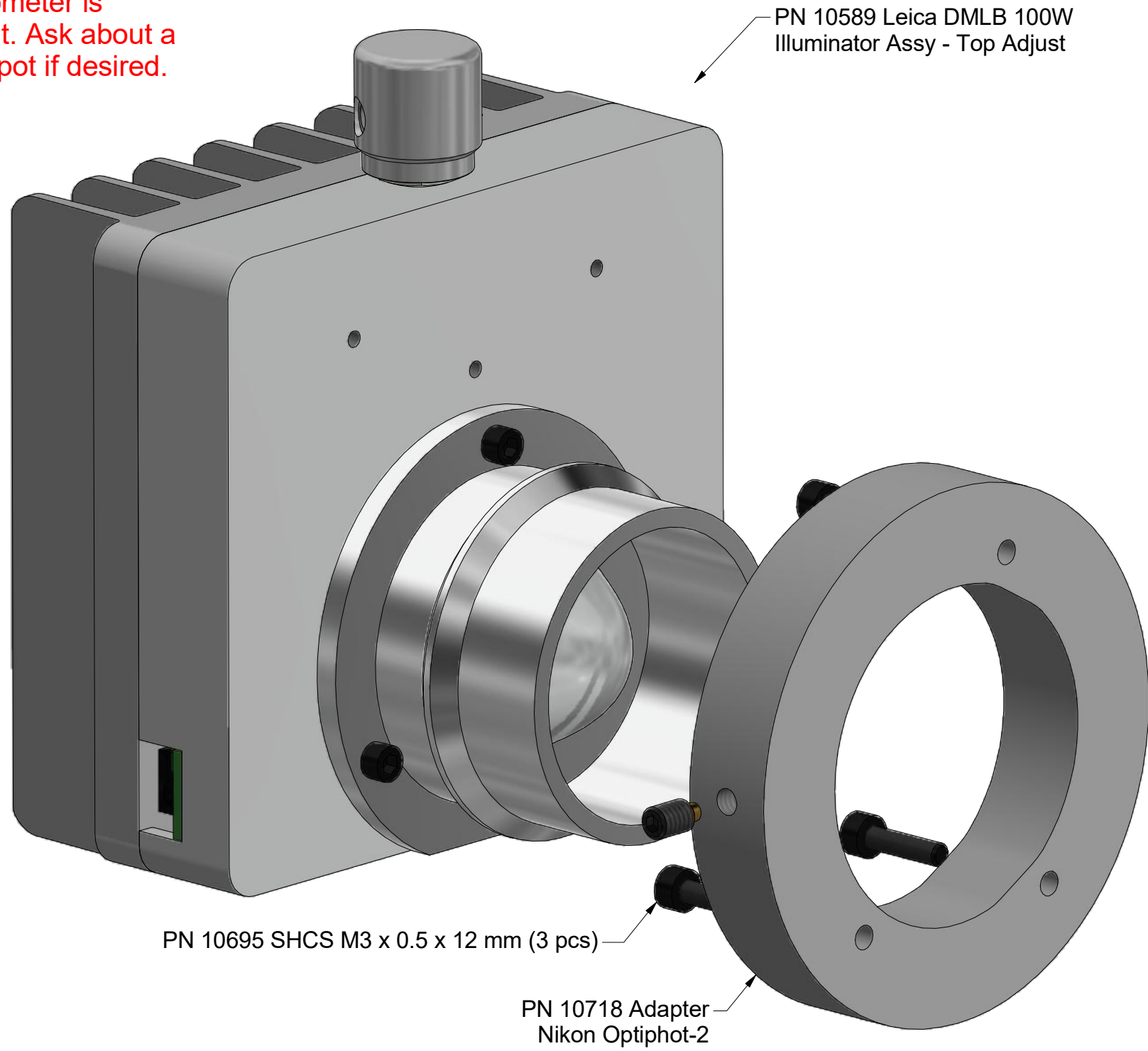


**Nanodyne Replacement Illuminator for Nikon Optiphot 300 Microscope Installation Instructions: Included Items**

Note that the illuminator mounted adjustment potentiometer is standard on this unit. Ask about a remote adjustment pot if desired.



**Additional Items Included But Not Shown:**

- PN 10490 Hex Key 5/64 inch (for set screw)
- PN 10566 Hex Key 2.5mm long arm ball end (for M3 SHCS to attach adapter to microscope)

The illuminator may be powered by plugging the cable into the power supply provided, or into a suitable USB port on a computer or other device.



PN 11163 Power Supply 5V 2.1A and PN 10734 Power Cable 1.35mm ID/3.5mm OD x USB A 6 ft.

Power supplies subject to substitution without notice due to availability issues and changes in regulations.



PN 10736 Rubber plug to block unused AC power recepticle

Han-Seung Yang		12/8/2019
PN 11151 Nikon Optiphot 300 Illuminator System Installation Instruction		REV 2
SHEET 1		OF 4

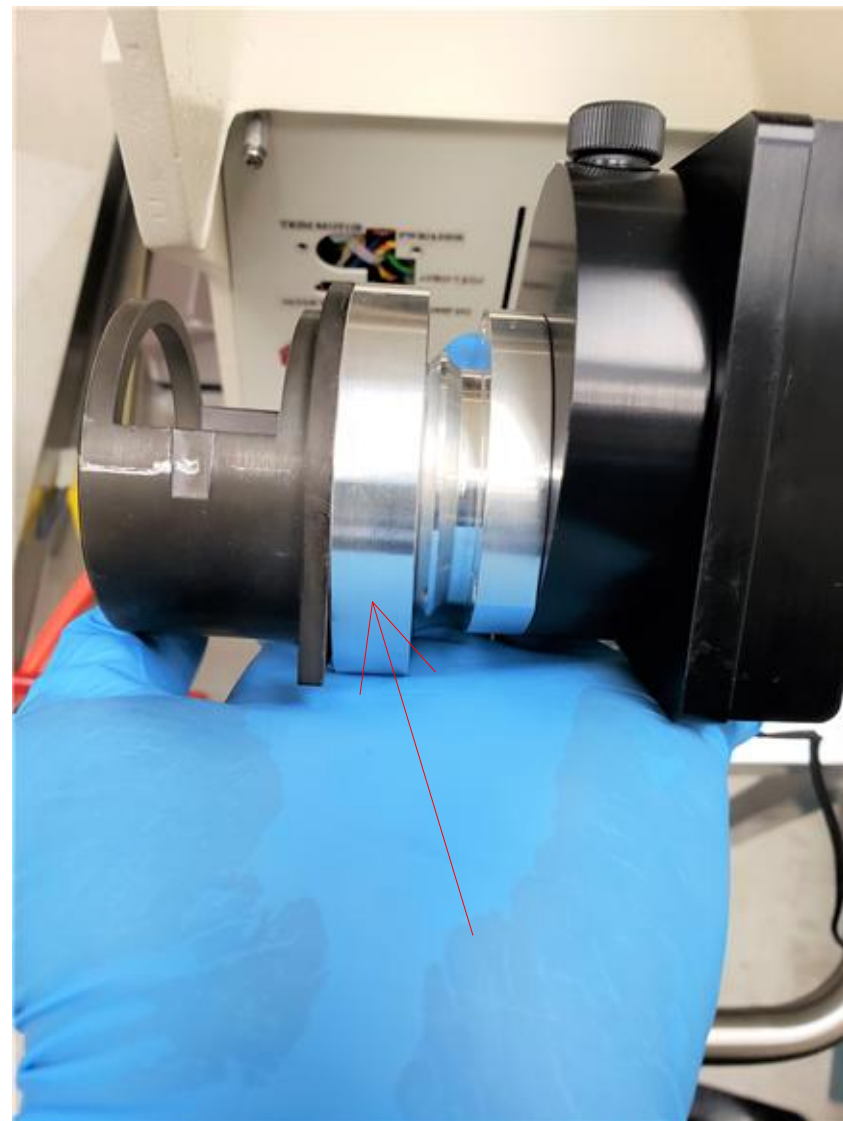
### Nanodyne Replacement Illuminator for Nikon Optiphot 300 Microscope Installation Instructions: Step 1. Remove OEM Lamp Housing, Attach Nanodyne Adapter

Photos courtesy of Viavi Solutions.



1. Loosen the retaining fastener on the left side of the filter assembly (red circle) and remove the original lamp housing.

- 2. Remove the 3 screws holding lamp housing to microscope (photos are not taken).
- 3. After removing the 3 screws, the lamp housing can be pulled away, disconnecting the electrical contacts.



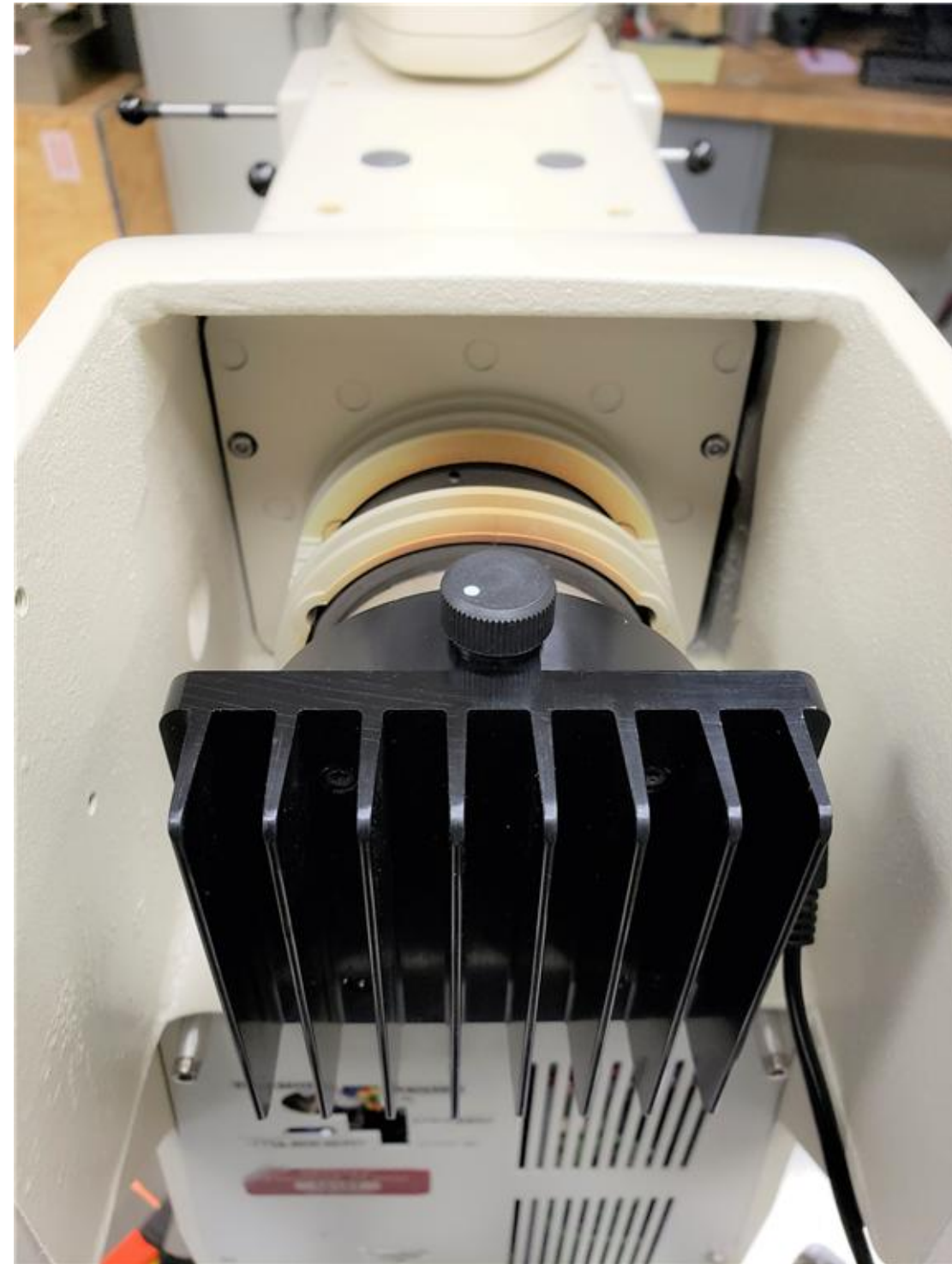
- 4. Attach the Nanodyne adapter ring (red arrow) to the filter housing using the three 12mm long M3 screws, using the 2.5mm hex key. Be sure all three screws are started and screwed in but still loose, before tightening them, to prevent binding.
- 5. Insert and fasten the Nanodyne illuminator to the provided adapter. Secure with the set screw on the adapter.

Han-Seung Yang		12/8/2019	
PN 11151 Nikon Optiphot 300 Illuminator System Installation Instruction			REV 2
SHEET 2			OF 4

Nanodyne Replacement Illuminator for Nikon Optiphot 300 Microscope Installation Instructions: Step 2. Connect New Power Supply and Attach Nanodyne Illuminator



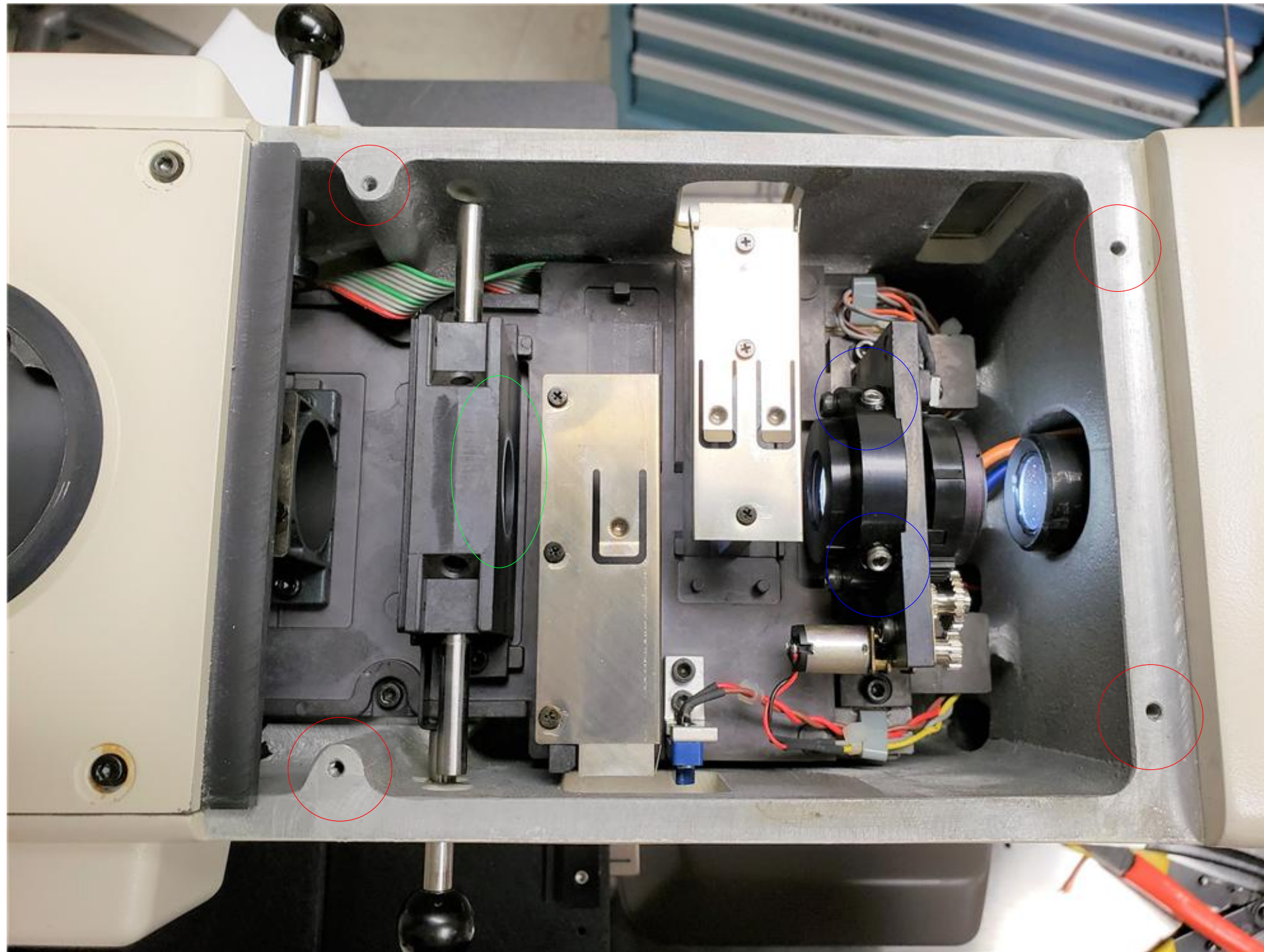
1. Install the power supply connector.



2. Install Nanodyne illuminator assembly back into the housing. Tighten the set screw from step 1 to secure in place. Now it is ready to operate.

Han-Seung Yang		12/8/2019
PN 11151 Nikon Optiphot 300 Illuminator System Installation Instruction		REV 2
SHEET 3		OF 4

Nanodyne Replacement Illuminator for Nikon Optiphot 300 Microscope Installation Instructions: Step 3. Adjust Light Beam (optional)



1. Remove the 4 bolts (red circle) that secure the lens/filter assembly and the cover (cover located between head of microscope and the lamp assembly).

2. Using the adjustment fasteners (circled in blue) position the light beam to create an even ring around the aperture assembly (circled in green).

Han-Seung Yang	12/8/2019
PN 11151 Nikon Optiphot 300 Illuminator System Installation Instruction	REV 2
SHEET 4	OF 4